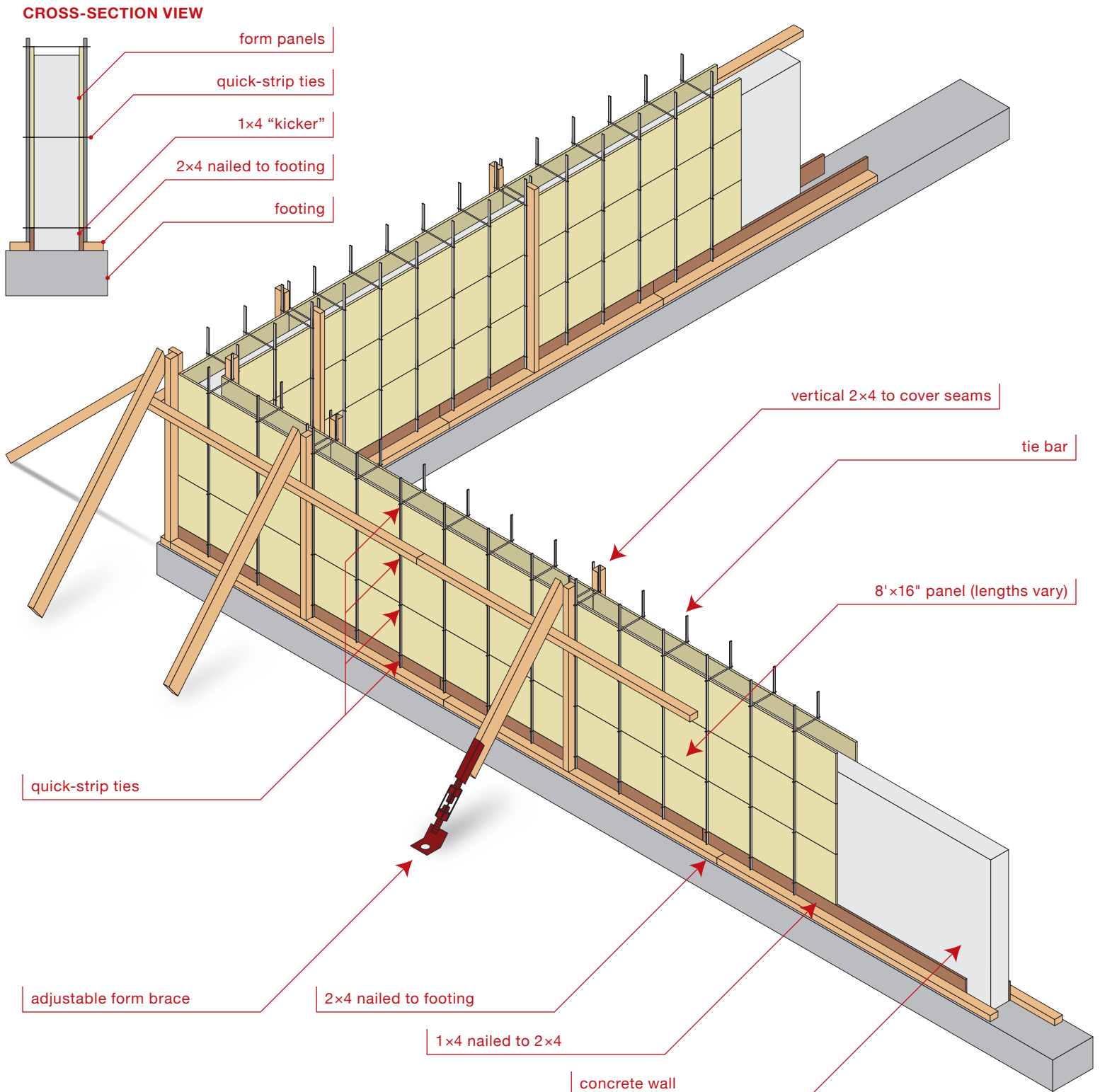


Our Forming System

Suitable for walls up to 11 feet tall



Form Rental Overview

RENTAL POLICY OVERVIEW

- Forms are rented out on a “per-job” basis, up to a total of 14 days
- Forms are **supplied unoiled**; Sharecost sells form oil specifically for forming panels
- Forms **MUST be oiled by the customer** prior to your pour (you are not required to return the panels oiled)
- Form panels are construction grade, not architectural grade; minor flaws in panels are to be expected
- Tie bar rental cost will be discounted by 25% if returned to Sharecost **tied in bundles of 10** (using tie wire)
- If a form panel is cut, you agree to pay the replacement cost of a **new panel**
- Form panels (and all other materials) can be **delivered to / picked up from your job site** for an additional fee, or you can choose to pick up and/or return the forming materials yourself
- For complete information on concrete form rentals, please refer to the rest of this guide

ESTIMATING OVERALL RENTAL COST

FORM PANELS
\$2.10 × outer wall ft²

- Forms are supplied without oil
- Customer must oil forms on site prior to pour
- Form oil must be purchased from Sharecost
- We require 2-4 days notice to prepare order

- Above costs are **estimates only, based on walls less than 6 feet high**; prices subject to change without notice
- Estimated cost **includes**: form panels (inner and outer walls); tie bar; quick-strip ties; custom form design plan
- Estimated cost **does NOT include**: taxes; delivery/pick-up fees (as required)

DETERMINING MATERIALS

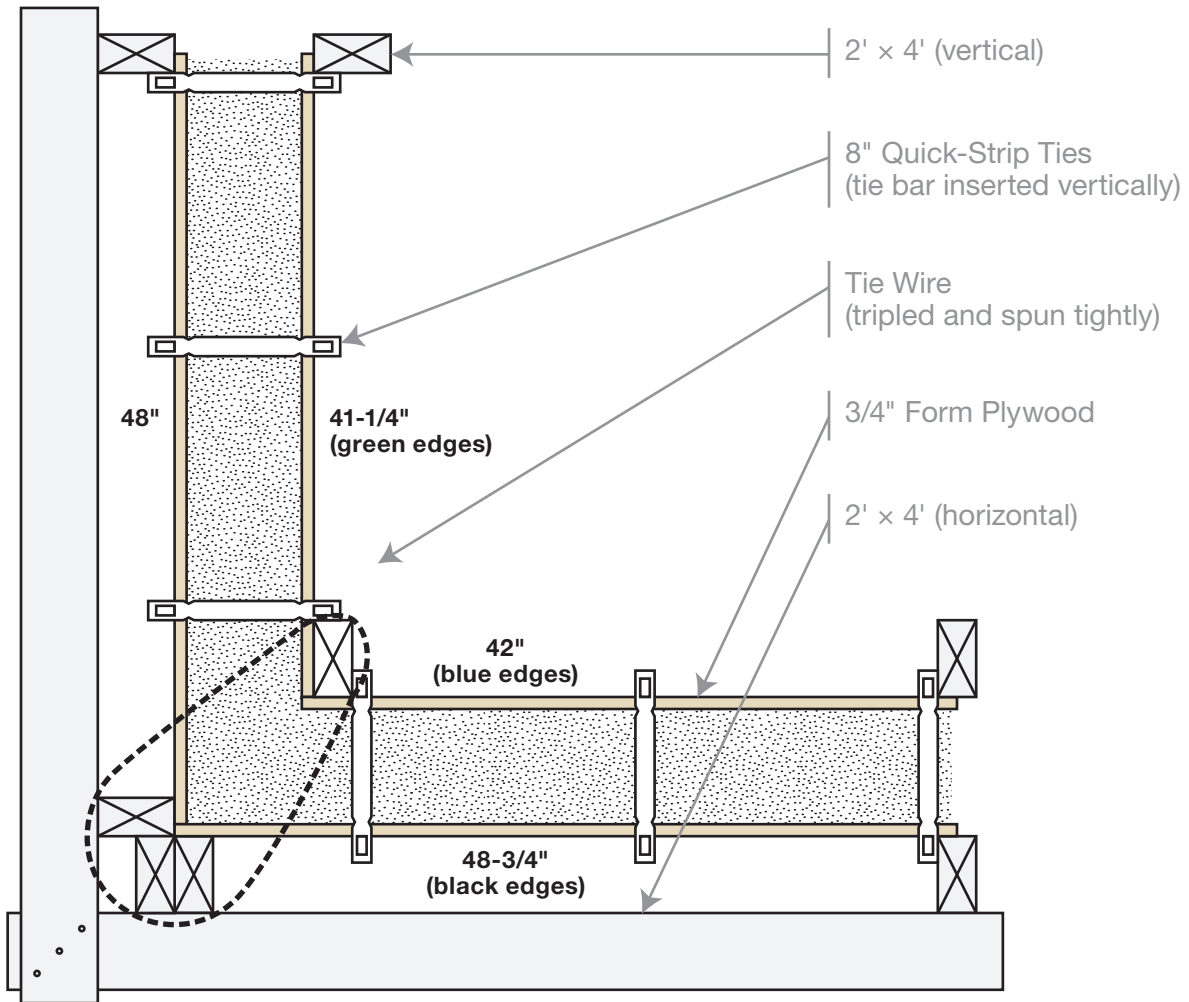
There are **two options** for determining what materials you need; either:

- ① Give us a **complete list of the panels, tie bar, etc. you require** and we'll put the order together
– OR –
- ② Give us a **copy of your foundation plan** and we'll determine what materials you require
 - We require your foundation plan at least one week before the forms are required on site
 - ALL wall lengths, heights, thicknesses, and steps must be marked CLEARLY on your foundation plan
 - Your order will include an easy-to-follow, itemized plan showing the location of all the form panels
 - There is a non-refundable \$100 fee for this service to account for cancelled orders; however, if you rent our forms, the \$100 fee is waived on the final invoice

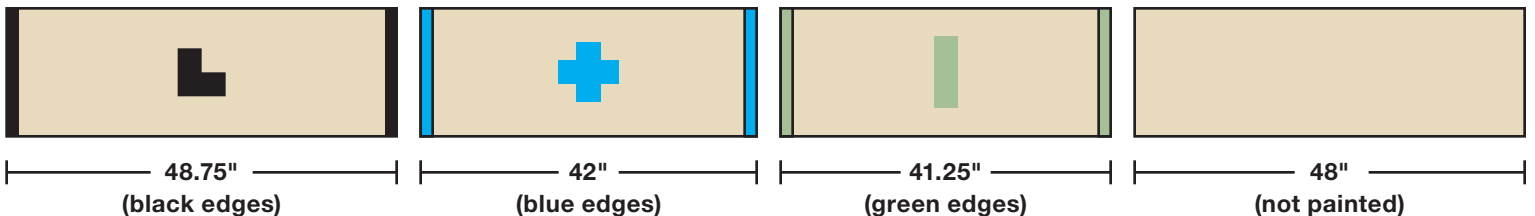
Form Corner - 6" Wall

Overhead View

PLEASE NOTE The below design is for **6-inch wide** walls only. Panels are 16" high and vary in length. Footing and lower 2x4s have not been shown in this diagram for clarity.



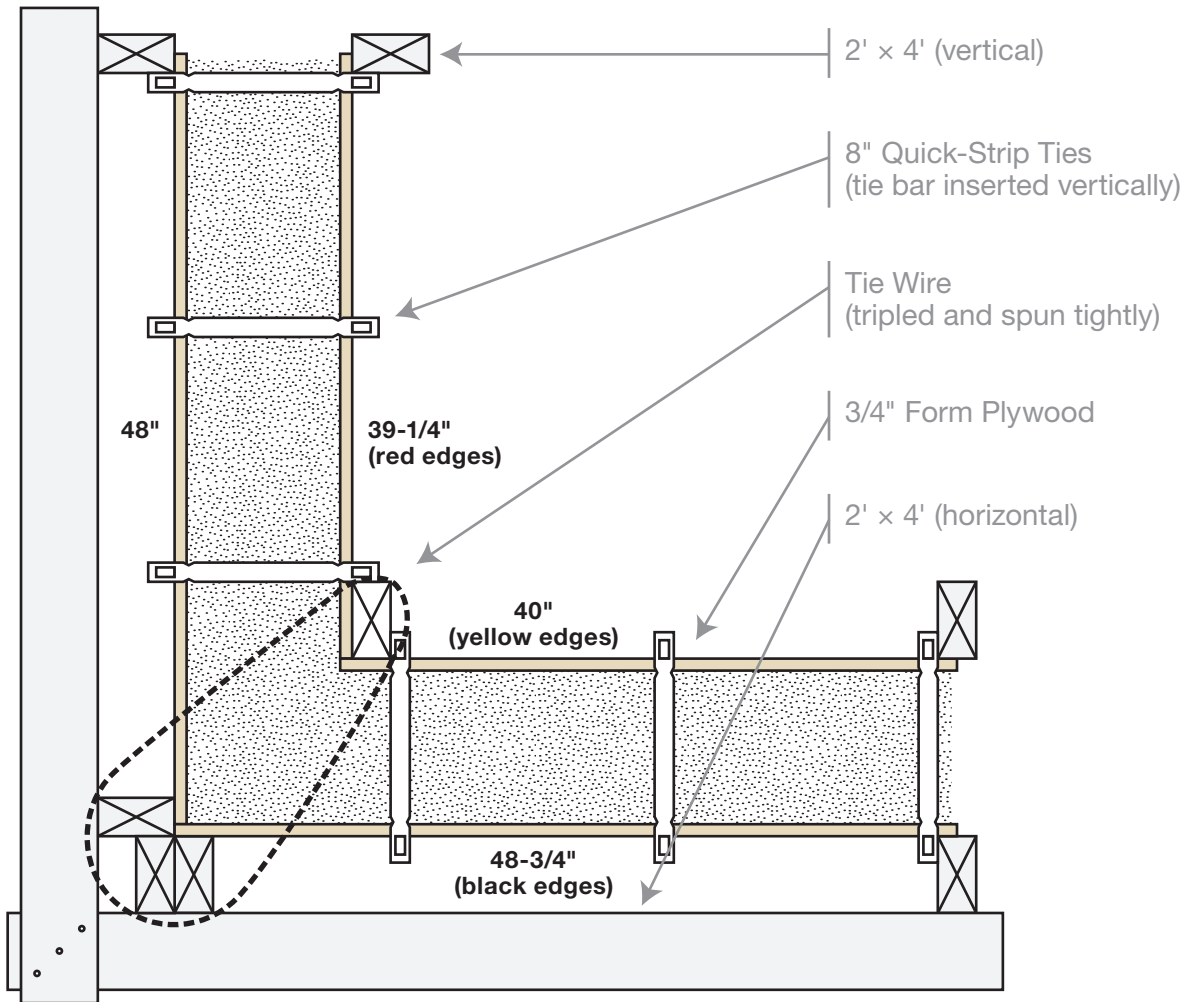
↓ SIDE-VIEW OF CORNER PANELS ↓



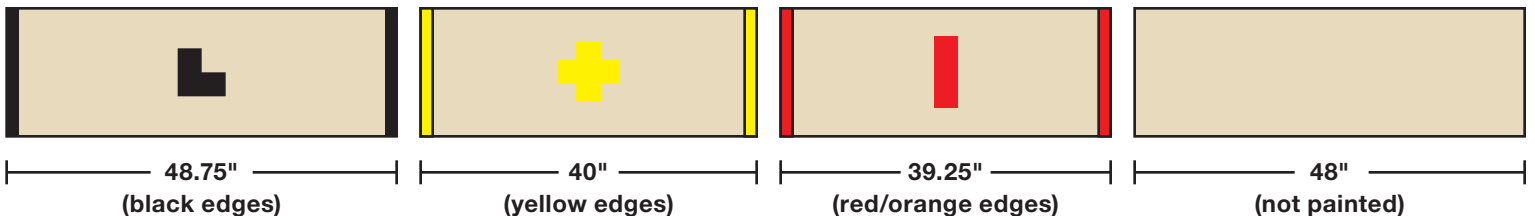
Form Corner - 8" Wall

Overhead View

PLEASE NOTE The below design is for **8-inch wide** walls only. Panels are 16" high and vary in length. Footing and lower 2x4s have not been shown in this diagram for clarity.



↓ SIDE-VIEW OF CORNER PANELS ↓



Form Setup Details

TERMS OF RENTAL

- Form panels and tie bar are a **two (2) week rental**, based on one use.
- Form panels are provided **unoiled**; you **MUST** oil them before use using form oil purchased from Sharecost.
- Tie bar will be discounted 25% if returned as received, in bundles of 10 pieces.
- A \$100 charge is required to have us develop a custom form plan (unless you provide the list of required materials).
- If you rent forms from us, the \$100 form plan charge will be waived on the final invoice.
- **The form plan charge will not be refunded on cancelled orders.**

AVOIDING DAMAGE CHARGES

- **DO NOT CUT FORM PANELS.** If you cut or drill holes, you buy the panel at new replacement cost.
- Do not drop form panels on their corners.
- Off-dimension gaps are to be custom fit with sheets of 3/4" plywood, cut from your own stock.
- The panels do straight walls and 90° corners only; other angles must be cut from your own stock.
- **Use only 16 gauge 2" bright brad nails** (placed with air nailer) in the form panels - maximum 6 nails per panel. Do not use any other fastener, they are not necessary and will damage the forms.
- 3" common bright duplex nails are used on all other framing that involves connecting one 2x4 to another 2x4. **DO NOT USE THESE ON ANY FORM PANELS.**

SETTING UP & OILING THE FORMS

- **The outer formed wall is built first.** Make sure all the panels you need for the inner wall are inside the footing before the outside wall is built (otherwise you'll be passing a lot of panels over the outer wall).
- **If your plan has corners, start building from the corners and work inwards.**
- Build forms with the "Sharecost Rentals" logo/painted side to the outside. **The blank side must face the concrete** – this is the side you **MUST** oil before use to enable you to remove the forms after the pour.
- Tie bar **ALWAYS** goes vertical (up-down) with this forming system.
- For walls up to 6' high, use 16" on center spacing of the quick strip ties and tie bar; for walls 6'–11' high use 12" on center spacing. Please ask an engineer if you have any concerns.
- Wall straightening screws are usually spaced every 8'. They are used to straighten the wall after the concrete has been poured and is still in the plastic state.
- Immediately re-check wall for straightness after the pour is complete; adjust wall screws to straighten wall as required.

WHERE TO USE 2x4s

- You will need your own 2x4s for this system. We suggest using 3" bright duplex nails which allow you to pull out the nails and re-use the 2x4 when building the house.
- 2x4s are nailed (horizontally) to the footing on both the inner and outer formed wall. This provides a surface to nail a 1x4 to (required to generate a level surface to stack the forms on).
- 2x4s are used as uprights placed on all vertical seams between form panels. The forms are nailed to the 2x4 here with 2", 16 gauge bright brad nails.
- A straight 2x4 is nailed on edge to the top of the vertical seam 2x4s to help straighten the wall.
- Diagonal 2x4 bracing is nailed to the tops of vertical seam 2x4 and extended out into the surrounding dirt forming a triangle. Some of these will have wall straightening screws attached to straighten the wall immediately after the pour.
- A 1x2 nailed to the inside of the top form panel with 1½" bright brad nails is used as a pour strip marking desired concrete finish height.

Continued on next page.

Form Setup Details

Continued from previous page.

BLOWOUTS

A blowout occurs when a forming system breaks open under the weight of wet concrete during a pour. **We accept no responsibility for a blow-out.** The following are some suggestions to help minimize the chance of a blowout.

- Make sure the tie bar and quick strips are installed properly. **Wet concrete is nearly 2 tonnes/yd³.** The metal tie bar and quick strip ties do all of the work to resist this mass: the taller the wall, the greater the risk of a blowout.
- Methodically check and re-check that all tie bar are inserted into the quick strips on both sides of the wall. **If only one tie bar or quick strip is not installed, this may cause a blowout.**
- When pouring concrete into the formwork, pour the concrete in 2' lifts all the way around the formwork and vibrate it with a concrete vibrator. This will give time for the first 2' of cement to develop some structural integrity to help take the strain off of the forms before the next 2' lift is applied on top.
- At corners, tie bar and quick strips do not work. Make sure to add sufficient 2x4 bracing here to strengthen the corners (see the attached corner detail graphic for more info). When in doubt add more bracing. Bracing is cheap; spilled concrete, hourly rates for concrete and pumper trucks are not.

TIPS & TRICKS

- For a minimum of 3 days after a pour it is absolutely critical to keep the concrete moist in order for the concrete to develop proper strength. This usually is done by keeping the forms on for three days after the pour. Ask your concrete provider for details specific to your job.
- **A concrete vibrator is necessary to remove air bubbles that otherwise leave voids and weaken the final concrete. We rent concrete vibrators and various leads.**
- Plunge the vibrator every three feet into the cement, vibrate for about 5 seconds slowly drawing the vibrator up.
- Do not over-vibrate, otherwise you will cause segregation of the concrete into sand and gravel, which weakens the final concrete.

BEFORE FORMS ARE RETURNED

- **Remove all brad nails from form panels.**
- Forms do NOT have to be oiled again prior to returning your rental.
- Stack forms and tie bar as they were received so we can safely transport them back to the shop.
- Stack forms in an area so they are accessible with the Bobcat loader.

BACKFILL PREP

- Drain pipe, fittings and filter fabric for your perimeter drainage can be brought out to your site when we are picking up the forms (or any time).
- Drainage rock is available by the yard or tonne (depending on required volumes).
- We rent Bobcat loaders and mini-excavators for doing the foundation backfill.
- We rent 700# or 1000# plates for compaction of the backfill.

QUESTIONS? CONTACT US AT (250) 758-2401